

QUIC-RELEASE® OXYGEN TANK SYSTEM
MODEL QR-OTS-M_____
PARTS SHEET AND MOUNTING INFORMATION

This unit is designed for use with the standard 42-1/8" L steel "M" cylinder only. It will not work with "M" cylinders shorter or longer than 42-1/8" L and it will not work with "G" or "H" cylinders.

Lowers cylinder safely and quickly to floor level for easy removal.

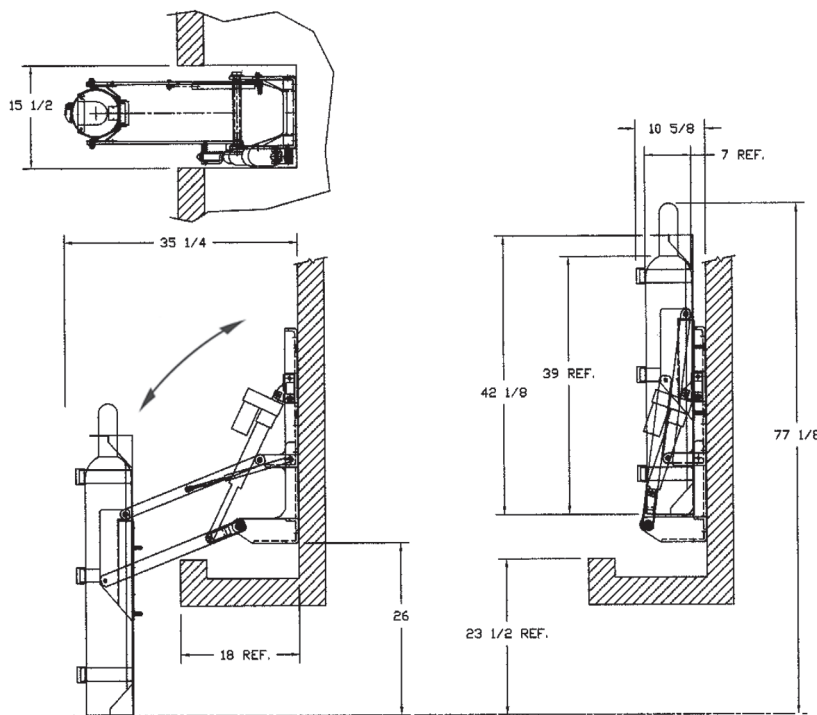
Powered by a single electric actuator meeting UL-1500 Standard for Ignition Protection, the unit has a maximum lifting weight of 205 pounds and requires 12 VDC with 14 amp circuit. Safety latch holds the unit firmly in place.

Operating latch is on the opposite side of the motor. See page 4 for optional hand held switch.

Equipped with a backdriving actuator that prevents unit from holding weight of the apparatus if air suspension is lowered.



Designed specifically for "M" cylinders, this new bracket requires a mounting area 15-1/2" W x 33-1/2" H x 10-5/8" D. Minimum door opening is 12".



MODEL	DESCRIPTION	WT./@ IN LBS.
QR-OTS-MR	System for "M" cylinder - motor on right	90.0
QR-OTS-ML	System for "M" cylinder - motor on left	90.0
QR-OTS-MR/HHS	System with hand-held switch	91.4
QR-OTS-ML/HHS	System with hand-held switch	91.4
QR-M-OTS	Bracket only for "M" cylinder	22.0
QR-HSS/B	Hand-held switch with bracket	1.4

ITEM NO.	PART NO.	DESCRIPTION	QTY.
1	3030-145-101	Base Casting	1
2	3030-145-103	Lifting Arm Weldment	1
3	3030-145-111	Adapter, Lifting Arm To Tank Brkt.	1
4	3030-140-113	Positioning Arm	1
5	3030-140-116	Rubber Pad, 1" x 4-1/2" x 1/4" Thk.	2
6	3030-140-117	Upper Mtg. Brkt., Actuator	1
7	3030-140-119	Housing, Locking Mechanism	1
8	3030-140-121	Slider, Locking Mechanism	1
9	3030-140-123	Hook, Locking Mechanism	2
10	3030-145-125	Handle, Locking Mechanism	1
11	3030-140-127	Lifting Arm Screw Sleeve, 3/4 ID x 1 OD x 1-1/32 Lg.	2
12	9014-117500	Plainwasher, 3/4ø ID	2
13	9010-107540	Screw, 3/4-10 x 2-1/2 Hex Hd.	2
14	3030-140-149	Damper, Hydraulic	1
15	3030-140-133	Sleeve, 3/8 ID x 1/2 OD x 1/2	4
16	9018-103716	Pivot Screw 3/8-16 x 1" Hex Hd. Grade 8	2
17	9013-173700	Nut, 3/8-16 Self Locking	5
18	9018-103720	Pivot Screw 3/8-16 x 1-1/4 Hex Hd. Grade 8	1
19	9014-115000	Flatwasher, 1/2 ID	2
20	9018-103116	Mtg. Screw, Lock Mech 5/16-18 x 1" Hex Hd. Gr 8	4
21	9010-315036	Shoulder Screw, 1/2 x 2-1/4 Grip	1
22	9050-005056	Quic Release Pin 1/2 OD x 3-1/2 Grip	1
23	9018-104364	Mtg. Screw, Upper Mtg. Brkt. 7/16-14 x 4 HH Gr 8	2
24	9010-382512	Setscrew, Upper Mtg. Brkt. 1/4-20 x 3/4 Cup Point	2
25	9010-103116	Screw, Slider Attach 5/16-18 x 1 Hex Hd.	2
26	3030-140-141	Spacer, 1/2 OD x 14GA x 7/16 LG.	3
27	3030-140-130	Washer, Spring 1/2 ID x 1 OD, SS	1
28	9014-203100	Lockwasher, 5/16 Split	15
29	3030-145-127	Damper Mtg. Plate Stamping	1
30	9010-103110	Mtg. Screw, Brkt. To Adapter 5/16-18 x 5/8 Hex Hd.	12
31	3030-145-131	Spacer, 1-1/8 ID x 1-5/8 OD x 1/4	2
32	9010-103128	Mtg. Screw, Lock Mech HSG 5/16-18 x 1-3/4 Hex Hd.	2
33	3030-140-112	Electric Actuator	1
34	2070-105-119	Knob, Plastic	1
35	9010-113716	Screw, 3/8-24 x 1", Hex Hd.	1
36	9014-203700	3/8 Split Lockwasher	1
37	3030-140-147	Retainer, Latch Handle	1
38	3030-140-157	Spacer, 5/16 ID x 1/2 OD x 1 Lg	2
39	3030-140-159	Comp Spring, .660 OD x .049 Wire x 7/8	2
40	9013-174300	Nut, 7/16-14 Self Locking	2
41	9014-113100	Flatwasher, 5/16 Nom. x 1/16 Thk.	18
42	9014-114300	Flatwasher, 7/16 Nom. x 1/16 Thk.	5
43	9114-113100	Flatwasher, 5/16 NOM x 3/4" OD S/S	1
44	9014-113700	Flatwasher, 3/8 Nom.	5
45	9013-173701	Nut, 3/8-16 Low Profile Self Locking	1
46	3030-140-161	End Fitting, Damper	2
47	9013-173100	Nut, 5/16-18, Hex Self Locking	6
48	9018-103144	Damper To Base Mtg. Screw 5/16-18 x 2-3/4 Hex Hd.	1
49	3030-145-149	Spacer, 5/16 ID x 1/2 OD x 5/8 L	1
50	9012-103100	Nut, 5/16-18 Plain, Hex	1
51	3030-135-136	Label, Cloth, "Threading Strap..."	3
52	3030-145-152	Spacer, 5/16 ID x 1/2 OD x 1/4 L	1
53	3030-145-151	Cylinder Bracket Assembly for "M" Cylinder	1
54	3030-135-135	Strap & Buckle Assembly	3
55	3097-105-144	Switch, Toggle, DPDT (Mom.) NOT SHOWN	1
56	3030-140-167	Label "Handle Must Be In..." NOT SHOWN	1
57	3030-140-169	Label "Unlock/Lock"	1
58	3030-140-165	Nylon Tree Rivet Hole Dia. 3/16, 7/16	4
59	3030-140-171	Label "Stand Clear..." NOT SHOWN	1
60	3030-140-172	Label "Must Read..."	1
61	3030-140-173	Label Mounting Plate	1
63	3030-000-109	Stop, Cylinder	1
64	9010-102512	Screw, 1/4-20 x 3/4 Hex Head	2
65	9112-352500	Thumb Nut, 1/4-20	2
66	9014-112500	1/4 Nom., Flatwasher	4
68	9018-103720	3/8-16 x 1-1/4 Hex Hd. M/S G8	2
71	9120-101102	Drive Screw #4 x 1/8" Type "U"	2
72	0000-000-105	Label, Model Number, Metal	1
73	3030-000-115	Label, "Meets KKK Specs" NOT SHOWN	1
74	9010-163720	Screw, 3/8-16 x 1-1/4 Flat Head	1
75	9114-115001	Flatwasher, 1/2" SS	2

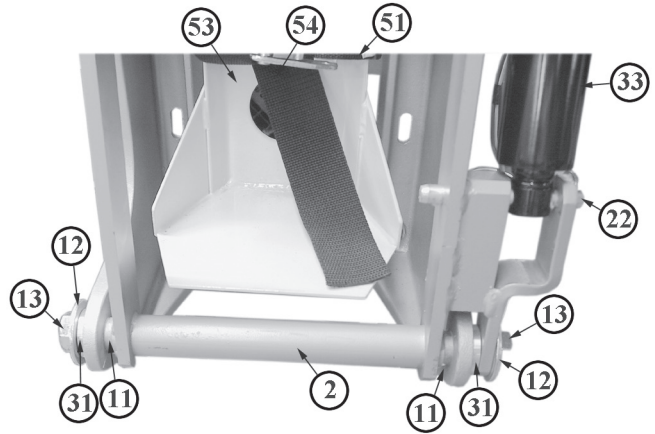


FIGURE 1

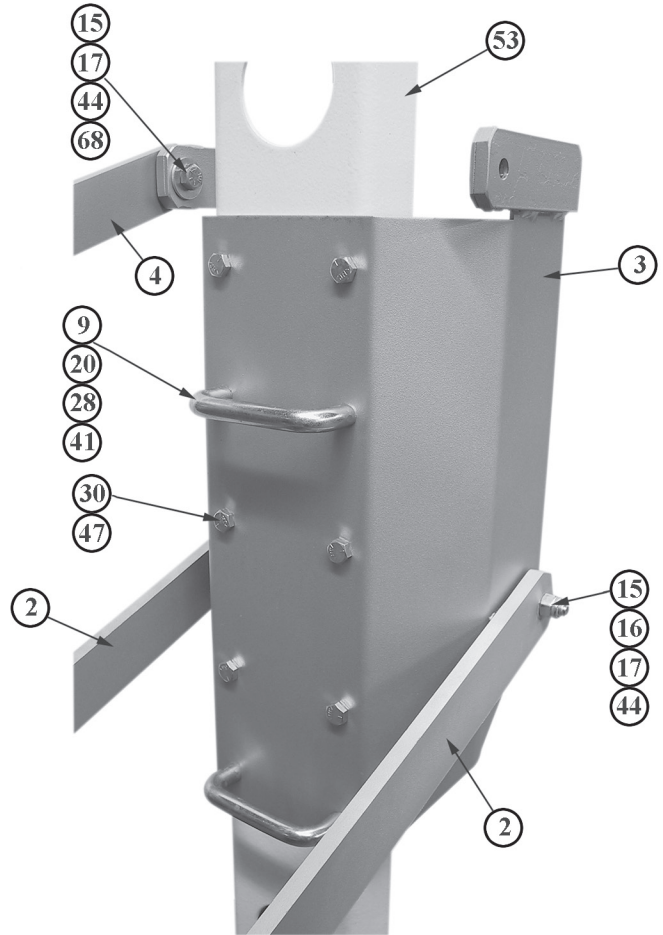


FIGURE 2

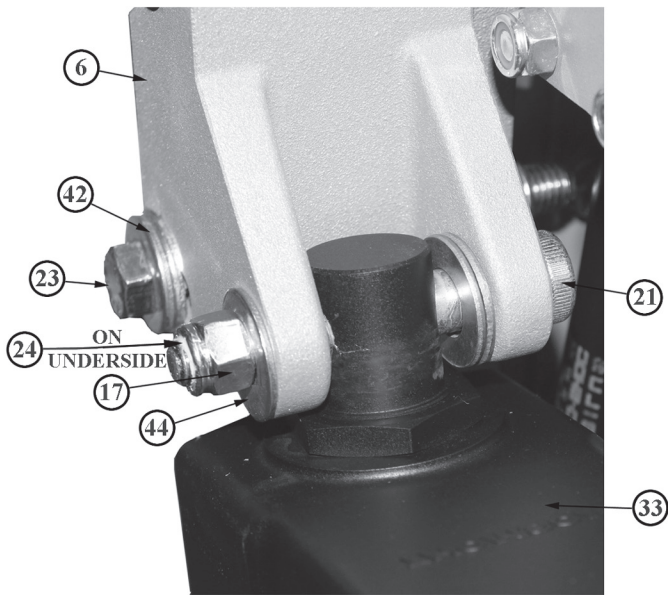


FIGURE 3

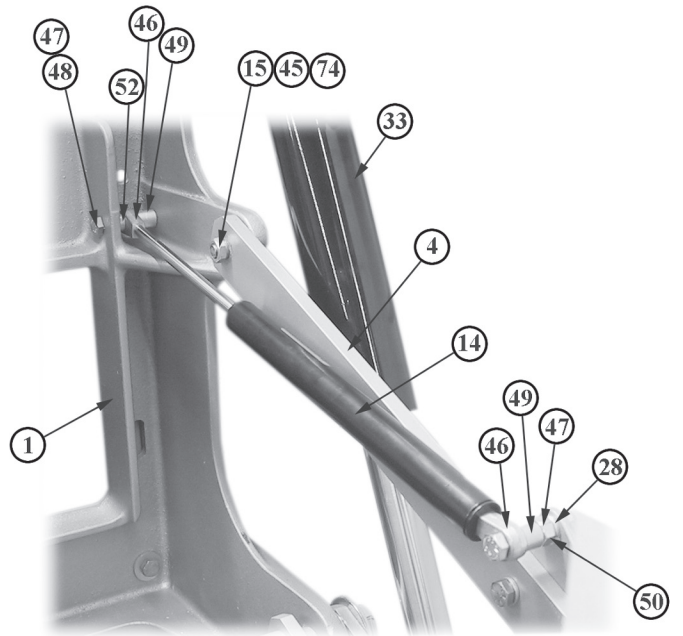


FIGURE 5

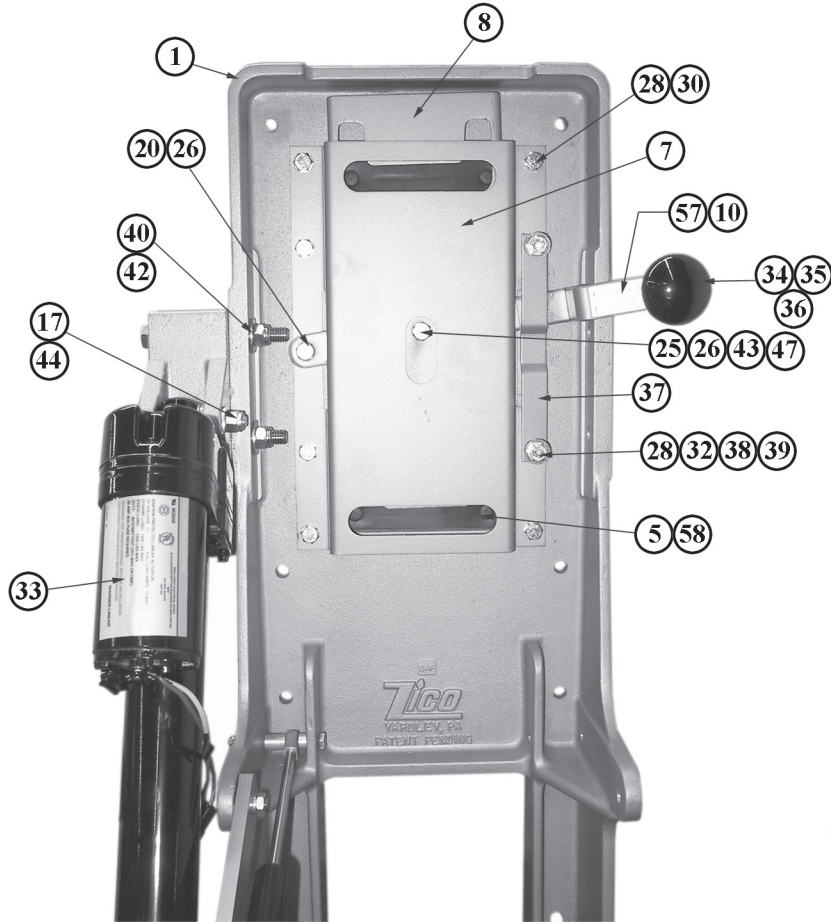
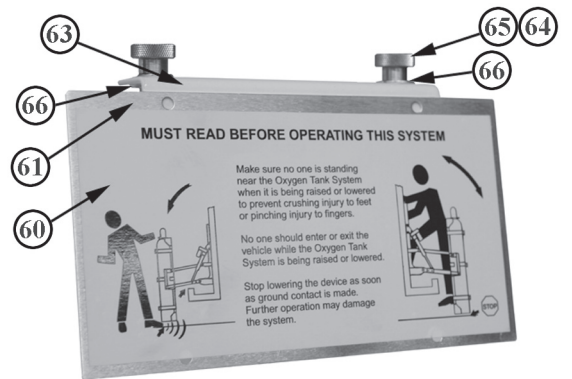


FIGURE 4



FIGURE 6



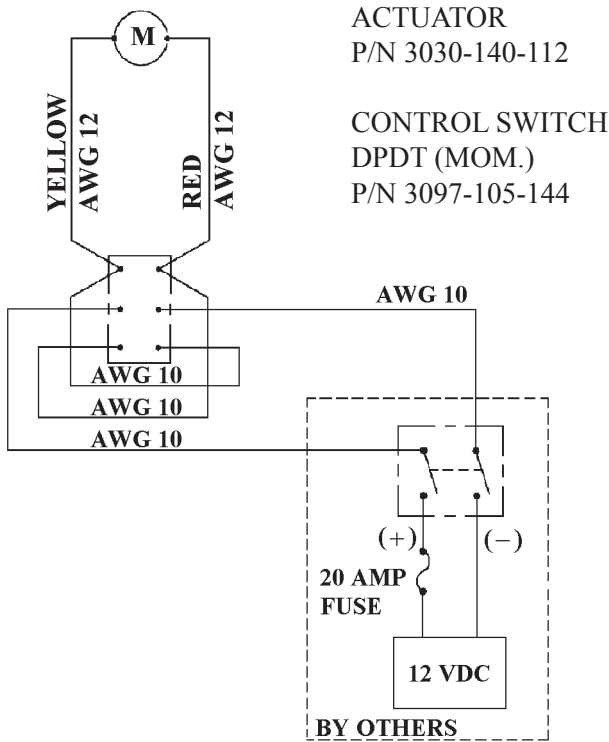
Label Assembly Shipped Unmounted

FIGURE 7

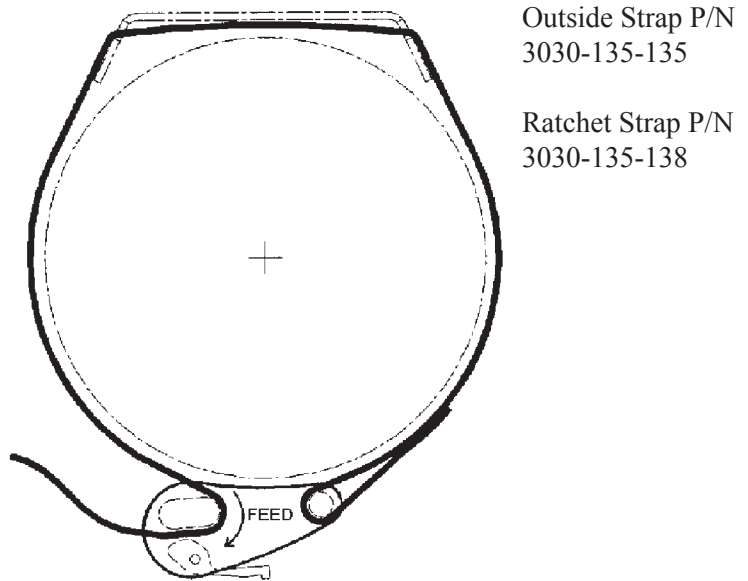
Mounting Recommendations for Model QR-OTS Oxygen Tank Systems:

- **Mounting Hardware:** We recommend use of 3/8" diameter hex head bolts at least Grade 5 in eight (8) places to mount the base casting.
- **Air Hose:** Should be long enough to allow removal of air hose connection when the cylinder has been lowered to the ground.

Electrical Schematic for all Systems:

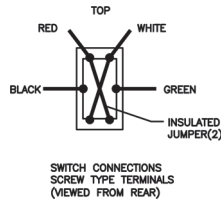


Proper threading of outside strap through the buckle assembly:



Wiring Schematic for Hand-Held Switch:

FIELD WIRING CONNECTIONS	
CABLE	CONNECT TO:
BLACK	12VDC (+)
GREEN	12VDC (-)
WHITE	ACTUATOR (YELLOW)
RED	ACTUATOR (RED)



Hand-held switch may be ordered alone (QR-HHS/B) or with a system in place of the standard toggle switch. Comes with mounting bracket.



Ziamatic Corp.

10 West College Avenue, P.O. Box 337, Yardley, PA 19067-0587 • (215) 493-3618 • FAX: (215) 493-1401

*ZICO is a registered trademark for fire, safety and marine products made by Ziamatic Corp.

www.ziamatic.com

TOLL FREE: 800-711-3473

Copyright Ziamatic Corp. 2-12